

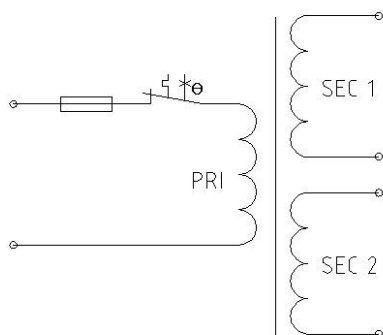
Type designation: Isolating transformer 800 VA / 230 V - 400 VA / 230 V - 400 VA
 Type: ETTV 800
 Item number: 1058

Standard: VDE 0570 Teil 2-4, EN 61558-2-4
 Version: stationary
 Construction: encapsulated with high insulating polyurethane
 Short circuit strength: non inherently short circuit proof
 Installation position: vertical with the cable glands down
 Max. ambient temperature: + 40°C
 Insulation class: E
 Protection index: IP 65
 Safety class: 2
 Weight approximately: 17 kg
 Fixing holes: 4x 6,2 mm
 Dimensions approximately: 215 x 143 x 333 mm (width x height x depth)
 Connection input: 1x PG 11 cable gland, screw-type terminals 1,5 – 4 mm² 2 poles
 Connection output: 2x PG 11 cable gland, screw-type terminals 1,5 – 4 mm² 2 poles
 Short circuit strength input: Glass body fuse IEC 60127-2/3
 Overload protection input: Fail-safe temperature switch
 Protection output: Glass body fuse IEC 60127-2/3

Power: 800 VA
 Input voltage (PRI): 230 V
 Output 1 (SEC 1): 230 V / 1,74 A / 400 VA
 Output 1 (SEC 2): 230 V / 1,74 A / 400 VA
 Frequency: 50-60 Hz
 Test voltage: 4000 V / 50 Hz

Application: The stationary isolating transformer guaranteed the safe galvanic isolation of the input and output sides
 Isolating transformers may be used to set up protective separation as a protective measure in accordance with VDE 0100. Only one device on each secondary winding of an isolation transformer may be connected in accordance with BGI 594.

Optional on request: 2m power cord with contour plug, country-specific voltages, safety transformers with low voltage < 50 V



Subjects to change!
 Original may differ from photo!